

Pluggable Installation for Marine Engineering Applications

Reliable Connections for Fire Alarm Systems



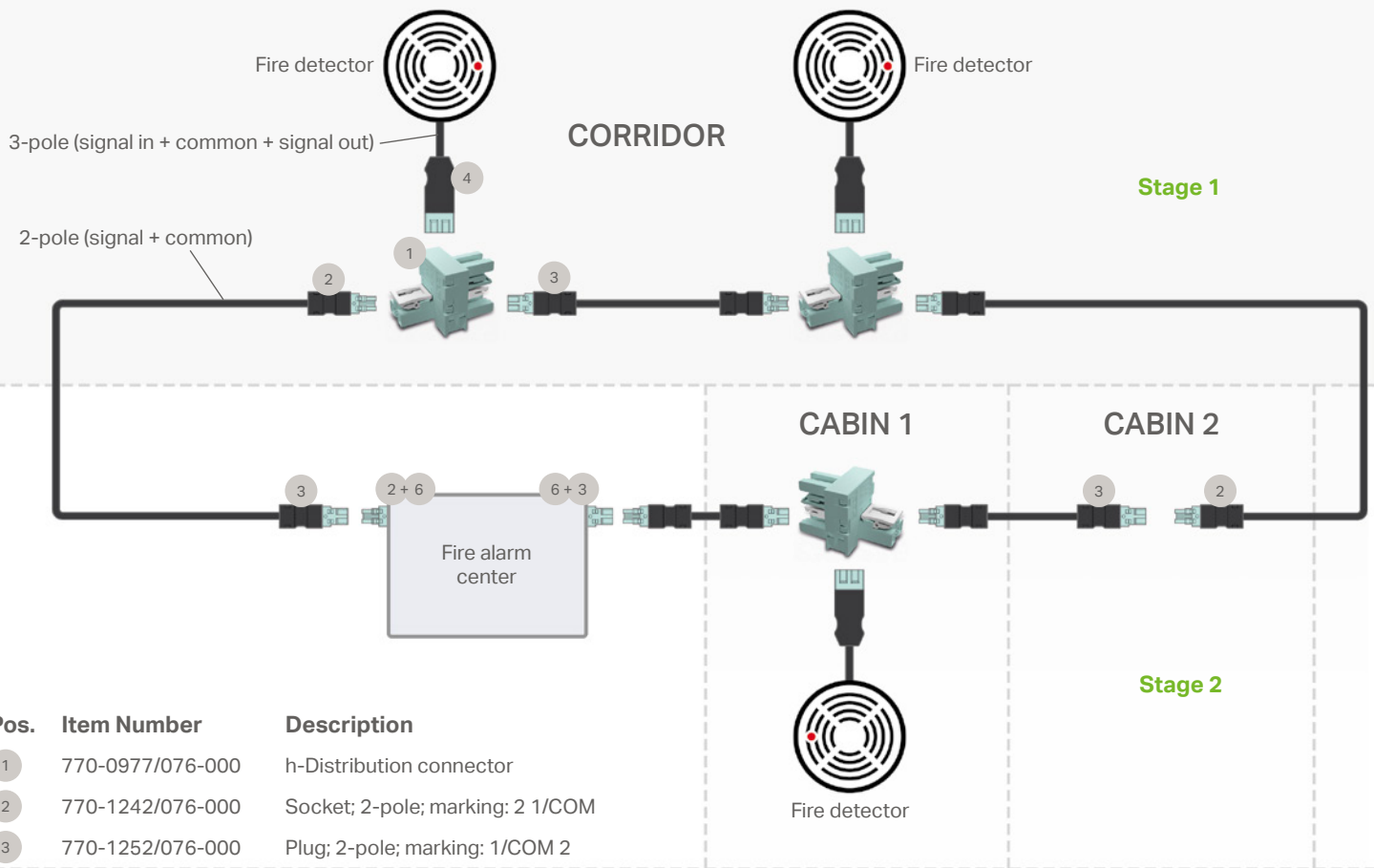
THE PLUGGABLE SOLUTION FOR FIRE ALARM SYSTEMS IN MARINE ENGINEERING

The WINSTA® pluggable connector system for modern marine engineering offers a simple, economical and efficient solution for the manufacturers of fire alarm systems on ships and cruise shipyards: A distribution box that permits pluggable connection of the fire alarm system loop for the first time. WAGO's flexible system also allows subsequent connections, e.g., for additional fire alarms installed in cabins, without extensive downtime. The system is perfectly tailored to the requirements of on-board fire alarm systems and coordinated with DNV GL with a focus on MED Directive. All components are DNV GL-approved (further approvals upon request).

The fire alarms are installed in two stages for the same loop:

Stage 1: During commissioning: installation of all fire alarm detectors, or every other fire alarm detector, in the corridors

Stage 2: Subsequent connection of in-cabin fire alarm detectors during commissioning



Pos.	Item Number	Description
1	770-0977/076-000	h-Distribution connector
2	770-1242/076-000	Socket; 2-pole; marking: 2 1/COM
3	770-1252/076-000	Plug; 2-pole; marking: 1/COM 2
4	770-1253/076-000	Plug; 3-pole; marking: 2/IN 1/COM 2/OUT
5	770-1243/076-000	Socket; 3-pole; marking: 2/IN 1/COM 2/OUT
6	770-337	Snap-in frame, 2-pole; white
7	770-338	Snap-in frame, 3-pole; white

BENEFITS :

- Simple pluggable connection of an additional fire alarm within the line
- Time-consuming, on-board wiring replaced by plug-and-play configured cables
- Simple setup of a temporary fire alarm network at the time of commissioning
- Individual fire alarms can be replaced quickly and easily by hand
- Easy initial installation of base plates
- Option of relocating work from the ship to the workshop