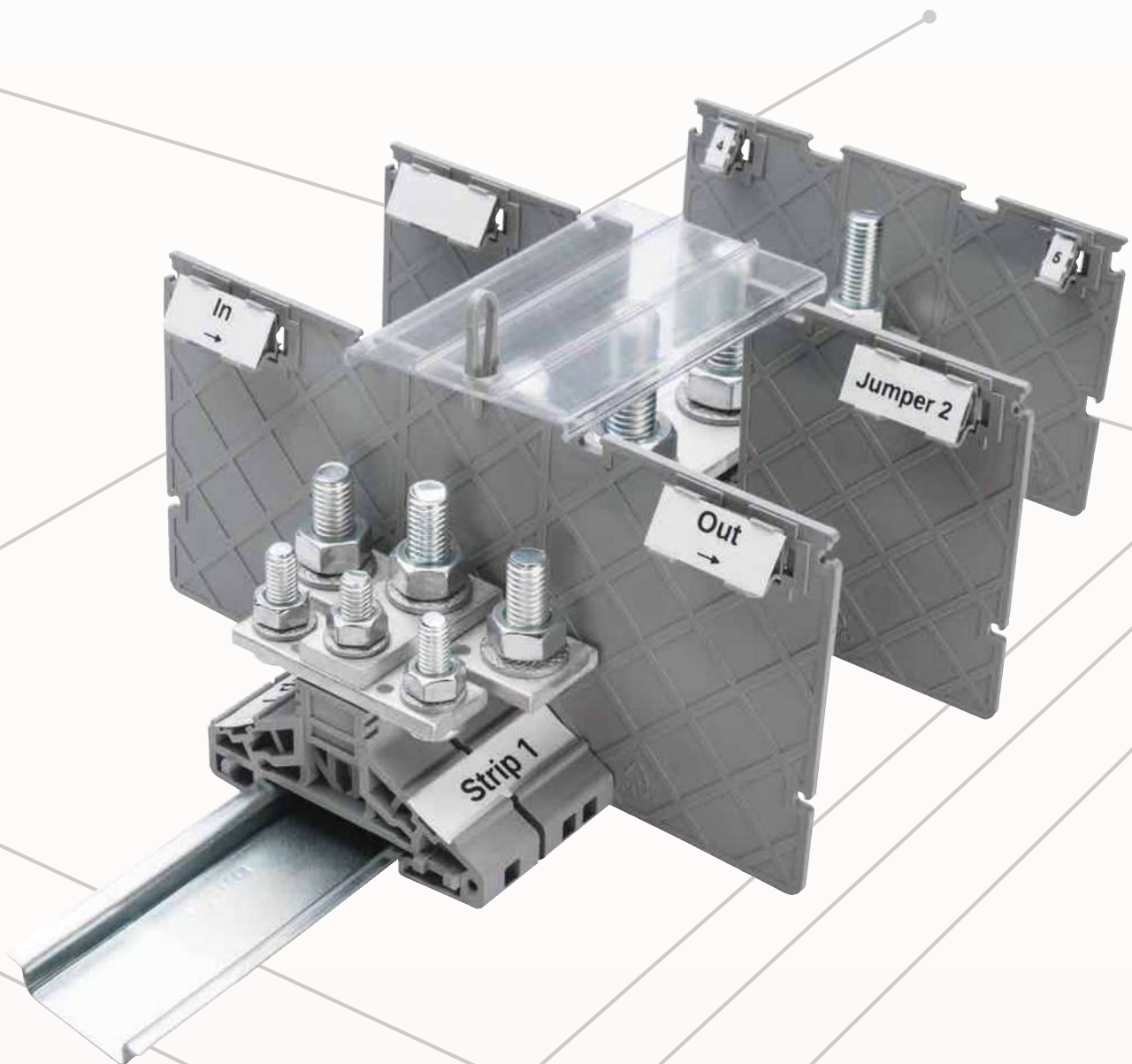


# DIN-Rail Terminal Blocks with Screw Clamp Connection

Supplementary Catalog to Full Line Catalog Volume 1



The items in this catalog  
supplement products found in  
the following main catalog

Volume 1

Rail-Mounted Terminal Block Systems



## DIN-Rail Terminal Blocks with Screw Clamp Connection

Page

	<b>Through Terminal Blocks with Screw Clamp Connection</b> 35 mm <sup>2</sup> , 70 mm <sup>2</sup> , 95 mm <sup>2</sup>	400 Series	2
	<b>Ground Conductor Terminal Blocks with Screw Clamp Connection</b> 35 mm <sup>2</sup> , 70 mm <sup>2</sup> , 95 mm <sup>2</sup>	400 Series	4
	<b>Through Terminal Blocks with Screw Clamp Connection</b> 150 mm <sup>2</sup> (300 kcmil), 240 mm <sup>2</sup> (500 kcmil)	400 Series	6
	<b>Fuse Terminal Blocks with Screw Clamp Connection</b> 10 mm <sup>2</sup> (8 AWG), 25 mm <sup>2</sup> (4 AWG)	400 Series	8
	<b>High-Current Terminal Blocks with Stud Bolts</b> M6 (35 mm <sup>2</sup> /2 AWG), M8 (70 mm <sup>2</sup> /3/0 AWG), M10 (120 mm <sup>2</sup> /300 kcmil), M12 (185 mm <sup>2</sup> /500 kcmil), M16 (300 mm <sup>2</sup> /600 kcmil)	400 Series	10
	<b>Stud Terminal Blocks</b> M6 (35 mm <sup>2</sup> /2 AWG), M8 (50 mm <sup>2</sup> /1/0 AWG), M10 (120 mm <sup>2</sup> /250 kcmil), M12 (120 mm <sup>2</sup> /250 kcmil)	885 Series	16
	<b>Index Addresses</b>		23

## Through Terminal Blocks with Screw Clamp Connection 400 Series



Through terminal block with screw clamp connection (95 mm<sup>2</sup>/4/0 AWG)  
Removal from the DIN-35 rail:  
Pull out locking device and simultaneously remove terminal block from the rail.



◀ 49 mm / 1.93 in ▶

Through terminal block, for DIN-35 rail


Color	Item No.	Pack. Unit
○ gray	400-415/415-124	20
● blue	400-425/425-124	20


### Technical Data


Ratings per	IEC/EN 60947-7-1
Rated voltage (III / 3)	1000 V
Rated impulse voltage (III / 3)	8 kV
Rated current	125 A
Nominal cross-section	35 mm <sup>2</sup>
<b>Connection Data</b>	
Solid conductor	16 ... 35 mm <sup>2</sup> / 6 ... 2 AWG
Fine-stranded conductor	16 ... 35 mm <sup>2</sup> / 6 ... 2 AWG
Strip length	17 ... 19 mm / 0.67 ... 0.75 inch
Terminal block width	16 mm / 0.63 inch
Tightening torque range	2.8 ... 3 Nm
Insulation material	Polyamide 66 (PA 66)

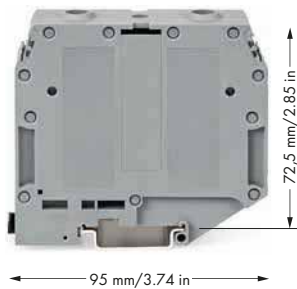
### Accessories

	Item No.	Pack. Unit
Assembled jumper bar	2-way	400-473/473-621 10
	3-way	400-473/473-622 10
	4-way	400-473/473-623 10
	5-way	400-473/473-624 10
	10-way	400-473/473-625 10
Jumper bar, with screws and washers		
Protective warning marker, with high-voltage symbol, for 3 terminal blocks	yellow	400-463/463-430 100(25)
Protective warning marker, with high-voltage symbol, for 4 terminal blocks	yellow	400-463/463-431 100(25)
Plastic screw, for protective warning marker		400-473/473-147 100(25)
Screwless end stop, for DIN-35 rail, 10 mm wide	gray	249-117 50(25)
Screwless end stop, for DIN-35 rail, 14 mm wide		

 Carrier rails and tools,  
see Volume 1, Section 13

 Marking accessories,  
see Volume 6

 Approvals and corresponding ratings,  
visit [www.wago.com](http://www.wago.com)



Through terminal block, hex socket clamping screws (INB 6), for DIN-15 rail

Color	Item No.	Pack. Unit
gray	400-415/415-216	10
blue	400-425/425-216	10

Through terminal block, hex socket clamping screws (INB 6), for DIN-15 rail

Color	Item No.	Pack. Unit
gray	400-415/415-556	10
blue	400-425/425-556	10

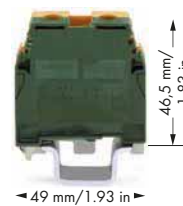
IEC/EN 60947-7-1
1000 V
8 kV
192 A
70 mm <sup>2</sup>
16 ... 70 mm <sup>2</sup> / 6 ... 2/0 AWG
16 ... 70 mm <sup>2</sup> / 6 ... 2/0 AWG
25 ... 27 mm / 0.98 ... 1.06 inch
22 mm / 0.866 inch
6 ... 7 Nm
Polyamide 66 (PA 66)

IEC/EN 60947-7-1
1000 V
8 kV
232 A
95 mm <sup>2</sup>
35 ... 95 mm <sup>2</sup> / 2 ... 4/0 AWG
35 ... 95 mm <sup>2</sup> / 2 ... 4/0 AWG
25 ... 27 mm / 0.98 ... 1.06 inch
26 mm / 1.024 inch
9 ... 9.5 Nm
Polyamide 66 (PA 66)

	Item No.	Pack. Unit
2-way	400-473/473-316	100(25)
3-way	400-473/473-317	50
5-way	400-473/473-318	10
10-way	400-473/473-319	20
yellow	400-473/473-327	50(25)
yellow	400-473/473-328	100(25)
	400-473/473-323	100(25)
gray	249-117	50(25)
gray	249-197	50(25)

	Item No.	Pack. Unit
2-way	400-477/477-508	100(25)
3-way	400-477/477-509	100(25)
5-way	400-477/477-510	50(25)
10-way	400-477/477-511	25
gray	249-117	50(25)
gray	249-197	50(25)

## Ground Conductor Terminal Blocks with Screw Clamp Connection 400 Series



Ground conductor terminal block,  
with contact to the carrier rail,  
only for DIN 35 x 15 rails


Color	Item No.	Pack. Unit
● green-yellow	400-465/465-111	20


### Technical Data


Ratings per	IEC/EN 60947-7-2
Nominal cross-section	35 mm <sup>2</sup>
<b>Connection Data</b>	
Solid conductor	16 ... 35 mm <sup>2</sup> / 6 ... 2 AWG
Fine-stranded conductor	16 ... 35 mm <sup>2</sup> / 6 ... 2 AWG
Strip length	17 ... 19 mm / 0.67 ... 0.75 inch
Terminal block width	16 mm / 0.63 inch
Tightening torque range	2.8 ... 3 Nm
Insulation material	Polyamide 66 (PA 66)

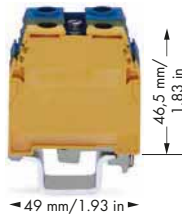
### Accessories

	Item No.	Pack. Unit
Screwless end stop, for DIN-35 rail, 10 mm wide	249-117	50(25)
Screwless end stop, for DIN-35 rail, 14 mm wide		

 Carrier rails and tools,  
see Volume 1, Section 13

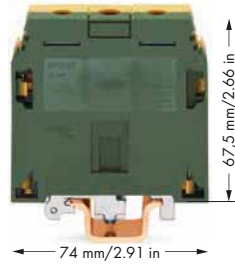
 Marking accessories,  
see Volume 6

 Approvals and corresponding ratings,  
visit [www.wago.com](http://www.wago.com)



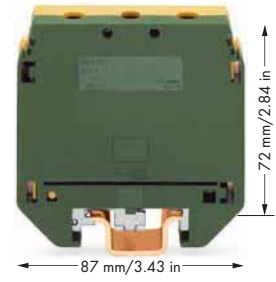
Ground-neutral terminal block, with contact to the carrier rail, only for DIN 35 x 15 rails

Color	Item No.	Pack. Unit
green-yellow/blue	400-465/465-575	10



Ground conductor terminal block, with contact to the carrier rail, only for DIN 35 x 15 rails (2.3 mm thick, copper)

Color	Item No.	Pack. Unit
● green-yellow	400-499/499-024	10



Ground conductor terminal block, with contact to the carrier rail, only for DIN 35 x 15 rails (2.3 mm thick, copper)

Color	Item No.	Pack. Unit
● green-yellow	400-499/499-176	10

IEC/EN 60947-7-2
35 mm <sup>2</sup>
16 ... 35 mm <sup>2</sup> / 6 ... 2 AWG
16 ... 35 mm <sup>2</sup> / 6 ... 2 AWG
17 ... 19 mm / 0.67 ... 0.75 inch
32 mm / 1.26 inch
2.8 ... 3 Nm
Polyamide 66 (PA 66)

IEC/EN 60947-7-2
70 mm <sup>2</sup>
16 ... 70 mm <sup>2</sup> / 6 ... 2/0 AWG
16 ... 70 mm <sup>2</sup> / 6 ... 2/0 AWG
25 ... 27 mm / 0.98 ... 1.06 inch
22 mm / 0.866 inch
6 ... 7 Nm
Polyamide 66 (PA 66)

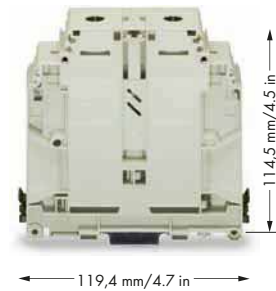
IEC/EN 60947-7-2
95 mm <sup>2</sup>
35 ... 95 mm <sup>2</sup> / 2 ... 4/0 AWG
35 ... 95 mm <sup>2</sup> / 2 ... 4/0 AWG
25 ... 27 mm / 0.98 ... 1.06 inch
26 mm / 1.024 inch
9 ... 9.5 Nm
Polyamide 66 (PA 66)

	Item No.	Pack. Unit
gray	249-117	50(25)

	Item No.	Pack. Unit
gray	249-117	50(25)
gray	249-197	50(25)

	Item No.	Pack. Unit
gray	249-117	50(25)
gray	249-197	50(25)

## Through Terminal Blocks with Screw Clamp Connection 400 Series



Through terminal block, with end plate and 10 mm<sup>2</sup> (6 AWG) control cable connection


Color	Item No.	Pack. Unit
○ light gray	400-499/499-715	10
● blue	400-499/499-717	10


### Technical Data


<b>Ratings per</b>	IEC/EN 60947-7-1
Rated voltage (III / 3)	1000 V
Rated impulse voltage (III / 3)	8 kV
Rated current (load circuit)	309 A
Rated current (control cable outlet)	57 A
Nominal cross-section (load circuit)	150 mm <sup>2</sup> /B14
Nominal cross-section (control cable outlet)	10 mm <sup>2</sup> /B14
<b>Ratings per</b>	UL/CSA
Rated voltage (III / 3)	600 V
Rated impulse voltage (III / 3)	8 kV
Rated current (load circuit)	445 A
Rated current (control cable outlet)	70 A
Nominal cross-section (load circuit)	300 kcmil
Nominal cross-section (control cable outlet)	6 AWG
<b>Connection Data (Load Circuit)</b>	
Solid conductor	25 ... 185 mm <sup>2</sup> / 4 AWG ... 350 kcmil
Fine-stranded conductor	35 ... 150 mm <sup>2</sup> / 2 AWG ... 300 kcmil
<b>Connection Data (Control Cable Outlet)</b>	
Solid conductor	0.5 ... 16 mm <sup>2</sup>
Fine-stranded conductor	0.5 ... 10 mm / 18 ... 6 AWG
Strip length (load circuit)	35 mm / 1.37 inch
Strip length (control cable outlet)	12 mm / 0.47 inch
Tightening torque (load circuit)	15 Nm / 88.5 ... 260 lb-in
Tightening torque (control cable outlet)	1.2 ... 1.4 Nm / 10.6 ... 12.3 lb-in
Tool (load circuit)	T-wrench (8 mm / 0.31 inch)
Tool (control cable outlet)	Screwdriver, (3.5 x 0.5) mm blade
Terminal block width	31 mm / 1.22 inch
Protection type	IP20
Insulation material	Polyamide 66 (PA 66)

### Accessories

	Item No.	Pack. Unit
Assembled jumper bar	2-way 400-406/406-053	10(1)
	3-way 400-406/406-054	5
Protective cover, IP20	light gray 400-499/499-788	50(25)
Screwless end stop, for DIN-35 rail, 10 mm wide	gray 249-117	50(25)

 Carrier rails and tools,  
see Volume 1, Section 13

 Marking accessories,  
see Volume 6

 Approvals and corresponding ratings,  
visit [www.wago.com](http://www.wago.com)



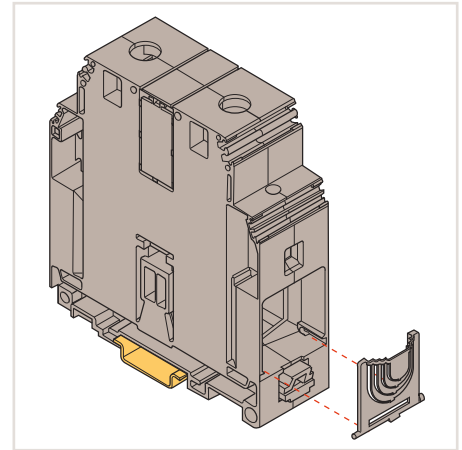


Through terminal block, with end plate and 10 mm<sup>2</sup> (6 AWG) control cable connection

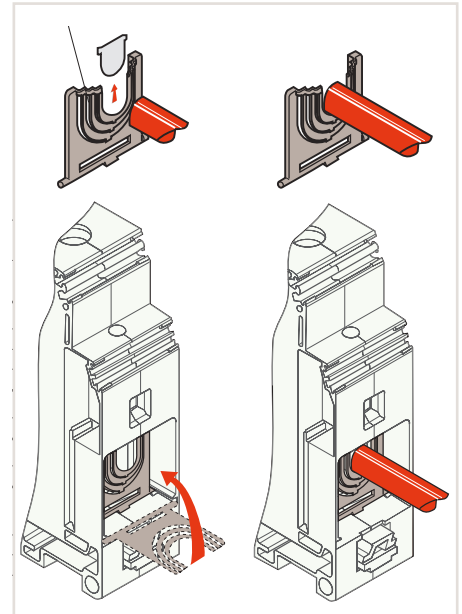
Color	Item No.	Pack. Unit
○ light gray	400-499/499-704	10
● blue	400-499/499-706	10

IEC/EN 60947-7-1
1000 V
8 kV
415 A
57 A
240 mm <sup>2</sup> /B14
10 mm <sup>2</sup> /B14
UL/CSA
600 V
8 kV
400 A
70 A
500 kcmil
6 AWG
50 ... 300 mm <sup>2</sup> / 0 AWG ... 600 kcmil
35 ... 240 mm <sup>2</sup> / 2 AWG ... 500 kcmil
0.5 ... 16 mm <sup>2</sup>
0.5 ... 10 mm / 18 ... 6 AWG
35 mm / 1.37 inch
12 mm / 0.47 inch
15 Nm / 124 ... 260 lb-in
1.2 ... 1.4 Nm / 10.6 ... 12.3 lb-in
T-wrench (8 mm / 0.39 inch)
Screwdriver, (3.5 x 0.5) mm blade
36 mm / 1.417 inch
IP20
Polyamide 66 (PA 66)

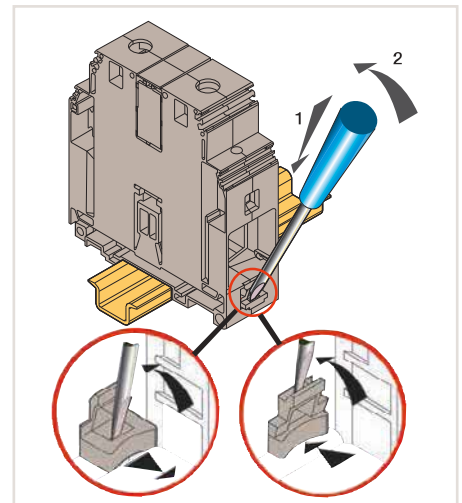
	Item No.	Pack. Unit
2-way	400-406/406-126	5
3-way	400-406/406-223	5
light gray	400-499/499-787	1
gray	249-117	50(25)



Adjust the cutout to the cable diameter.



Operate mounting system via screwdriver – mounting foot locks in open or closed position.



Open and close.

## Fuse Terminal Blocks with Screw Clamp Connection 400 Series



Fuse terminal block,  
for cartridges with indicator,  
D 01 (Neozed), 380 V,  
for DIN-35 rail


Color	Item No.	Pack. Unit
○ gray	400-416/416-298	10


### Technical Data


<b>Ratings per</b>	IEC/EN 60947-7-3
Rated voltage (III / 3)	750 V
Rated impulse voltage (III / 3)	8 kV
Rated current	32 A
Nominal cross-section	10 mm <sup>2</sup>
<b>Connection Data</b>	
Solid conductor	0.2 ... 10 mm / 24 ... 8 AWG
Fine-stranded conductor	0.2 ... 10 mm / 24 ... 8 AWG
Strip length	13 mm / 0.51 inch
Terminal block width	24 mm / 0.945 inch
Tightening torque range	1.2 ... 1.4 Nm
Insulation material	Polyamide 66 (PA 66)

### Accessories

	Item No.	Pack. Unit
Screwless end stop, for DIN-35 rail, 10 mm wide	249-117	50(25)

 Carrier rails and tools,  
see Volume 1, Section 13

 Marking accessories,  
see Volume 6

 Approvals and corresponding ratings,  
visit [www.wago.com](http://www.wago.com)



Fuse terminal block,  
for cartridges without indicator,  
(10.3 x 38) mm, 500 V,  
for DIN-35 rail

Color	Item No.	Pack. Unit
green-yellow/blue	400-416/416-299	10

IEC/EN 60947-7-3

750 V

8 kV

32 A

10 mm<sup>2</sup>

0.2 ... 10 mm / 24 ... 8 AWG

0.2 ... 10 mm / 24 ... 8 AWG

13 mm / 0.51 inch

24 mm / 0.945 inch

1.2 ... 1.4 Nm

Polyamide 66 (PA 66)

Color	Item No.	Pack. Unit
gray	249-117	50(25)

# High-Current Terminal Blocks with Stud Bolts

## System Description

### 400 Series



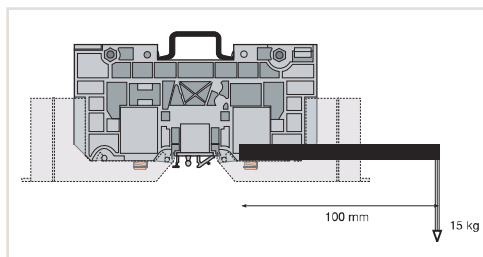
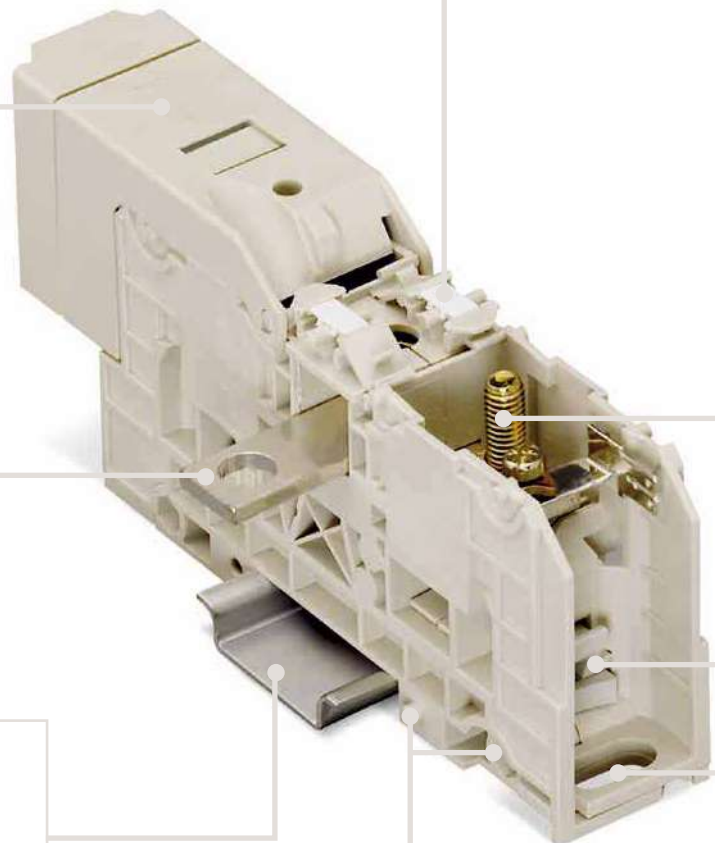
Protection against accidental contact is achieved via protective covers (IP20). Two covers must be used on each terminal block.



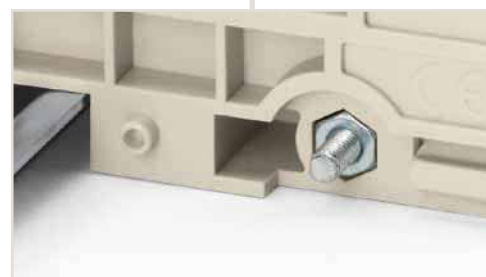
Center marking of the terminal block via WMB markers



Jumper bars – available in 2-way and 3-way versions



Rail mounting for highest stability



- Stud terminal blocks can be assembled to terminal strips via threaded rod and M3 nut
- Easy connection via connecting tips



Control cable connection for 6.3 x 0.8 flat tab and screw connection



Assembly

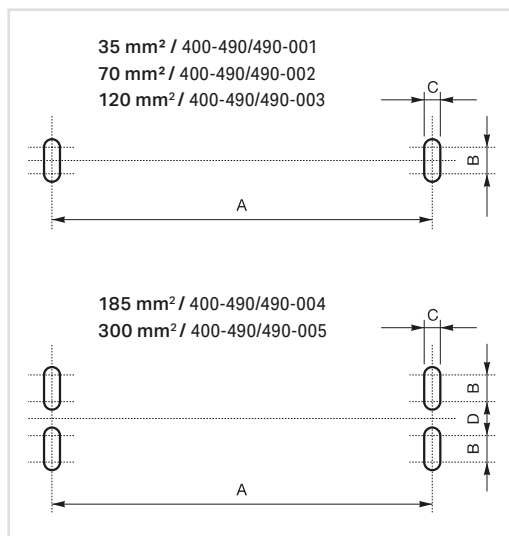
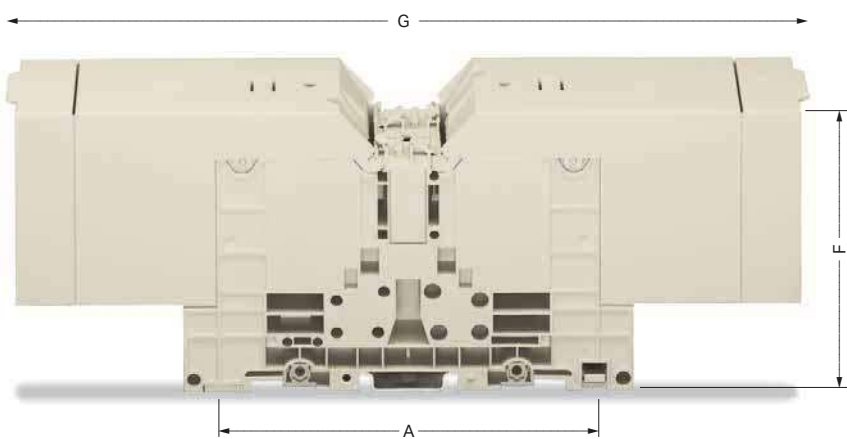


Removal



Slot for direct assembly (see table below)

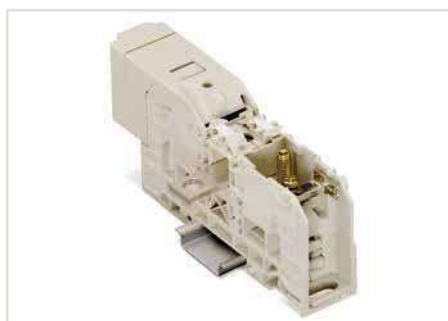
**Position of drilled holes for direct assembly and dimensions when using covers:**



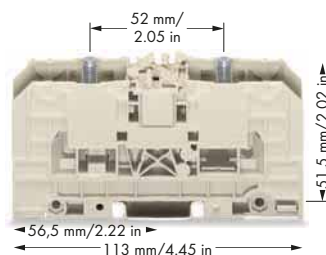
Cross section	Item No.	Mounting	A	B	C	D	F	G
35 mm <sup>2</sup>	400-490/490-001	2 screws	100,5	7,5	6,5	-	63,5	160
70 mm <sup>2</sup>	400-490/490-002	2 screws	120	7,5	6,5	-	72,5	190,5
120 mm <sup>2</sup>	400-490/490-003	2 screws	120	7,5	6,5	-	83,5	255,5
185 mm <sup>2</sup>	400-490/490-004	4 screws	135	13,5	6,5	8,5	103,5	295
300 mm <sup>2</sup>	400-490/490-005	4 screws	135	13,5	6,5	8,5	105	295

## High-Current Terminal Blocks with M6, M8 and M10 Stud Bolts

### 400 Series



High-current terminal block with stud bolts



High-current terminal block, with two M6 stud bolts


Color	Item No.	Pack. Unit
○ light gray	400-490/490-001	5


#### Technical Data


<b>Ratings per</b>	IEC/EN 60947-7-1
Rated voltage (III / 3)	1000 V
Rated impulse voltage (III / 3)	8 kV
Rated current	125 A
Nominal cross-section	35 mm <sup>2</sup>
<b>Ratings per</b>	UL/CSA
Rated voltage (III / 3)	600 V
Rated current	125 A
Nominal cross-section	14 ... 2 AWG
<b>Connection Data (NFC)</b>	
Stranded conductor	2.5 ... 35 mm <sup>2</sup>
Fine-stranded conductor	2.5 ... 35 mm <sup>2</sup>
<b>Connection Data (DIN)</b>	
Stranded conductor	2.5 ... 35 mm <sup>2</sup>
Fine-stranded conductor	
<b>Connection Data (UL/CSA)</b>	
Stranded conductor	
Fine-stranded conductor	
<b>Cable lug</b>	
Wrench size	10 mm
Tightening torque	3 ... 6 Nm / 26.1 lb-in
<b>Jumper bar screw</b>	
Wrench size	T-wrench (6 mm)
Tightening torque	6 ... 12 Nm / 52 lb-in
Terminal block width	27 mm / 1.063 inch
Insulation material	Polyamide 66 (PA 66)

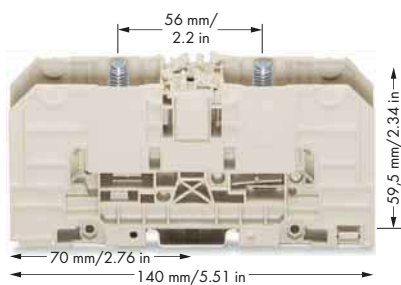
#### Accessories

	Item No.	Pack. Unit
Protective cover, IP20	400-490/490-016	5
Jumper bar with screws	400-405/405-772	25(5)
	400-405/405-773	25(5)
Control cable connection, with screws, for (6.35 x 0.8) mm flat tabs	400-405/405-767	1
Screwless end stop, for DIN-35 rail, 10 mm wide	gray 249-117	50(25)

 Carrier rails and tools, see Volume 1, Section 13

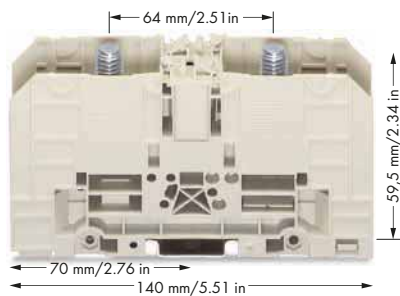
 Marking accessories, see Volume 6

 Approvals and corresponding ratings, visit [www.wago.com](http://www.wago.com)



High-current terminal block, with two M8 stud bolts

Color	Item No.	Pack. Unit
○ light gray	400-490/490-002	5



High-current terminal block, with two M10 stud bolts

Color	Item No.	Pack. Unit
○ light gray	400-490/490-003	5

IEC/EN 60947-7-1
1000 V
8 kV
192 A
70 mm <sup>2</sup>
UL/CSA
600 V
170 A
10 ... 3/0 AWG
6 ... 95 mm <sup>2</sup>
6 ... 70 mm <sup>2</sup>
6 ... 70 mm <sup>2</sup>
13 mm
6 ... 12 Nm / 52 lb-in
T-wrench (6 mm)
6 ... 12 Nm / 52 lb-in
32 mm / 1.26 inch
Polyamide 66 (PA 66)

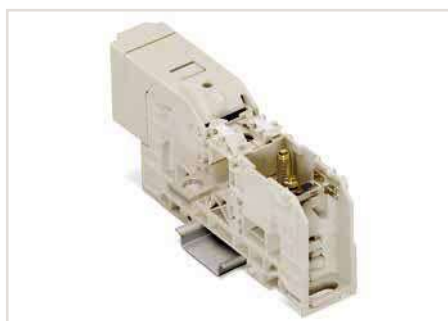
IEC/EN 60947-7-1
1000 V
8 kV
269 A
120 mm <sup>2</sup>
UL/CSA
600 V
269 A
10 AWG ... 300 kcmil
2.5 ... 35 mm <sup>2</sup>
2.5 ... 35 mm <sup>2</sup>
2.5 ... 35 mm <sup>2</sup>
max. 300 kcmil
max. 300 kcmil
17 mm
10 ... 20 Nm / 87 ... 174 lb-in
T-wrench (6 mm)
6 ... 12 Nm / 52 ... 104 lb-in
42 mm / 1.654 inch
Polyamide 66 (PA 66)

	Item No.	Pack. Unit
light gray	400-490/490-017	5
2-way	400-405/405-774	25(5)
3-way	400-405/405-775	25(5)
	400-405/405-768	10
gray	249-117	50(25)

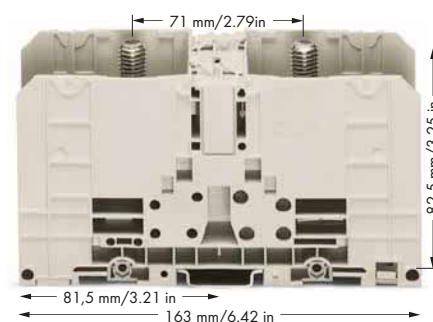
	Item No.	Pack. Unit
light gray	400-490/490-018	5
2-way	400-405/405-776	10(5)
3-way	400-405/405-777	5
	400-405/405-769	10
gray	249-117	50(25)

## High-Current Terminal Blocks with M12 and M16 Stud Bolts

### 400 Series



High-current terminal block with stud bolts



High-current terminal block, with two M12 stud bolts


Color	Item No.	Pack. Unit
○ light gray	400-490/490-004	5


#### Technical Data


<b>Ratings per</b>	IEC/EN 60947-7-1
Rated voltage (III / 3)	1000 V
Rated impulse voltage (III / 3)	8 kV
Rated current	353 A
Nominal cross-section	185 mm <sup>2</sup>
<b>Ratings per</b>	UL/CSA
Rated voltage (III / 3)	600 V
Rated current	353 A
Nominal cross-section	10 AWG ... 500 kcmil
<b>Connection Data (NFC)</b>	
Stranded conductor	25 ... 240 mm <sup>2</sup>
Fine-stranded conductor	6 ... 185 mm <sup>2</sup>
<b>Connection Data (DIN)</b>	
Stranded conductor	6 ... 185 mm <sup>2</sup>
Fine-stranded conductor	
<b>Connection Data (UL/CSA)</b>	
Stranded conductor	max. 500 kcmil
Fine-stranded conductor	max. 500 kcmil
<b>Cable lug</b>	
Wrench size	19 mm
Tightening torque	25 ... 50 Nm / 121 ... 261 lb-in
<b>Jumper bar screw</b>	
Wrench size	T-wrench (6 mm)
Tightening torque	6 ... 12 Nm / 52 ... 104 lb-in
Terminal block width	55 mm / 2.165 inch
Insulation material	Polyamide 66 (PA 66)

#### Accessories

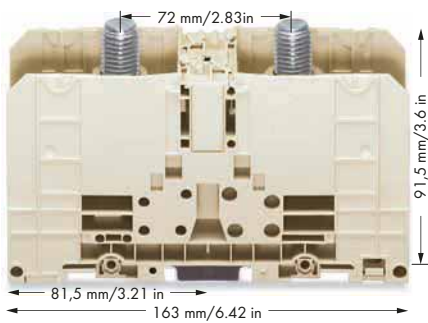
	Item No.	Pack. Unit
Protective cover, IP20	400-490/490-019	1
Jumper bar with screws	400-405/405-778	5
	400-405/405-779	1
Control cable connection, with screws, for (6.35 x 0.8) mm flat tabs	400-405/405-770	10
Screwless end stop, for DIN-35 rail, 10 mm wide	gray 249-117	50(25)

 Carrier rails and tools,  
see Volume 1, Section 13

 Marking accessories,  
see Volume 1, Section 13 or Volume 6

 Approvals and corresponding ratings,  
visit [www.wago.com](http://www.wago.com)





High-current terminal block, with two M16 stud bolts

Color	Item No.	Pack. Unit
○ light gray	400-490/490-005	5

IEC/EN 60947-7-1

1000 V

8 kV

520 A

300 mm<sup>2</sup>

UL/CSA

600 V

460 A

10 AWG ... 600 kcmil

25 ... 300 mm<sup>2</sup>

6 ... 300 mm<sup>2</sup>

6 ... 300 mm<sup>2</sup>

max. 600 kcmil

max. 600 kcmil

24 mm

25 ... 50 Nm / 217 ... 435 lb-in

T-wrench (6 mm)

6 ... 12 Nm / 52 ... 104 lb-in

55 mm / 2.165 inch

Polyamide 66 (PA 66)

	Item No.	Pack. Unit
light gray	400-490/490-019	1
2-way	400-405/405-778	5
3-way	400-405/405-779	1
	400-405/405-771	1
gray	249-117	50(25)

# Stud Terminal Blocks

## System Description

### 885 Series



Assembly options – just snap cover in at the required position.



Touch guard cover – can be secured against slipping via clip.  
Hole must be drilled in the appropriate position (6 mm drilled hole diameter).

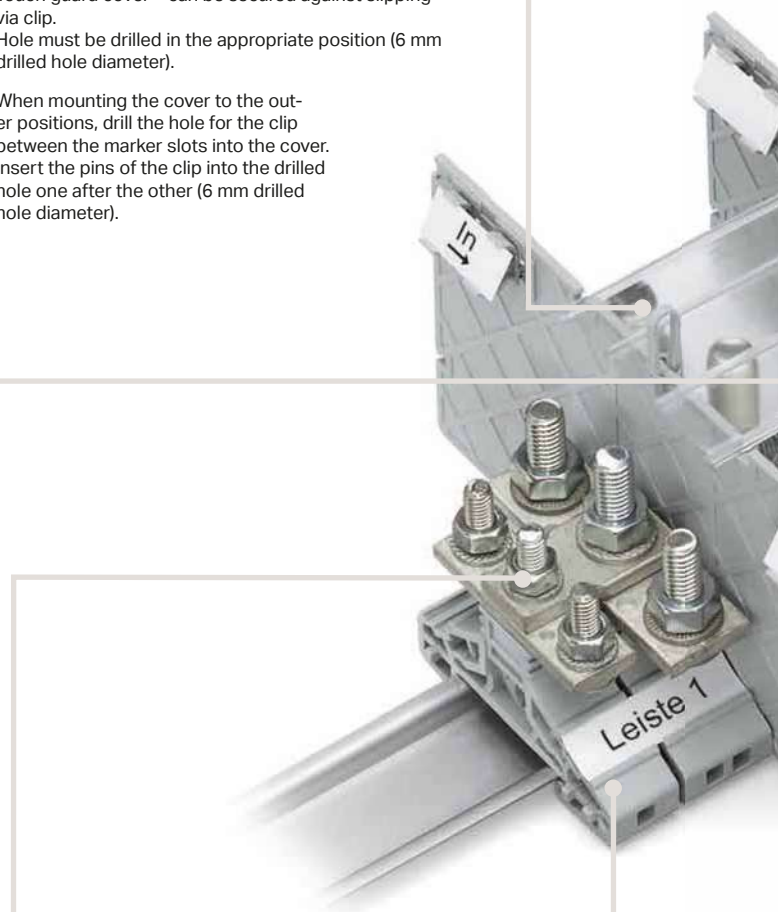
When mounting the cover to the outer positions, drill the hole for the clip between the marker slots into the cover. Insert the pins of the clip into the drilled hole one after the other (6 mm drilled hole diameter).



Fast and easy potential distribution using assembled jumper bars – double assembled jumper bar from M10 to M10 via separator



Step-down adjacent jumper bar – from M8 to M6



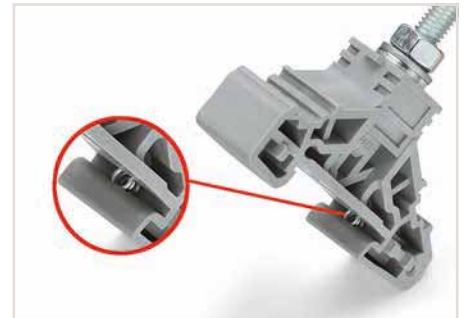
Terminal block marking – either with WMB marker or marking strips



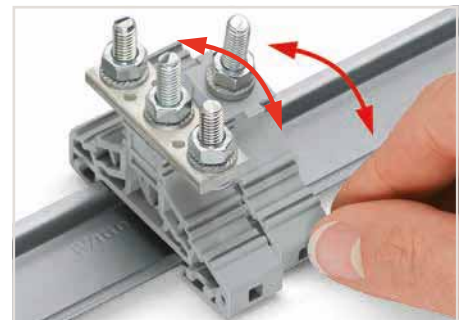
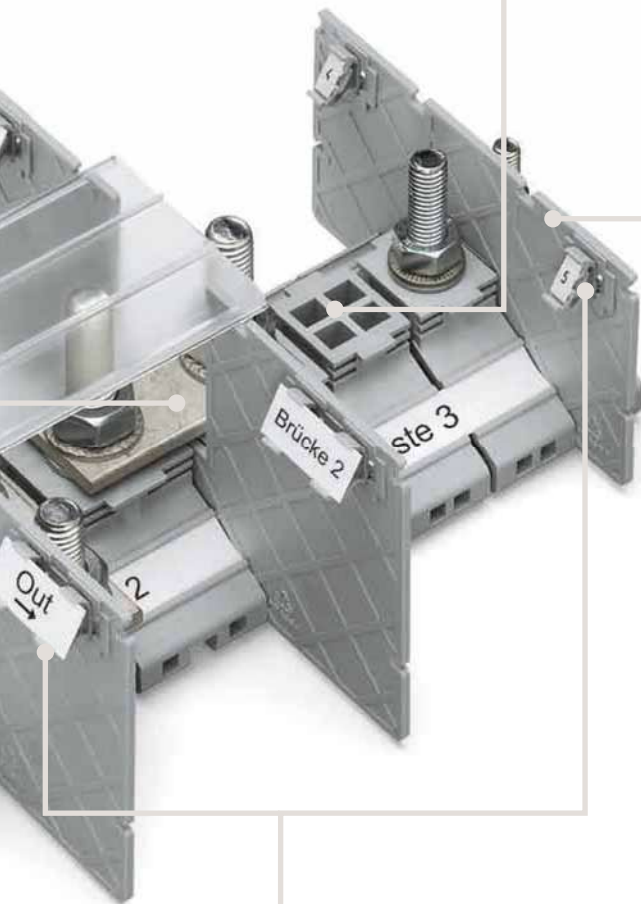
Empty housing as placeholder (M10)



Securing a separator plate on a stud terminal block via guide pins.



First mount the terminal base over the edge for fitting onto the carrier rail.



Slide the terminal side with the spring element toward the center of the rail and press it up/down.



Group marking with marker carrier – either via WMB marker or marking strip



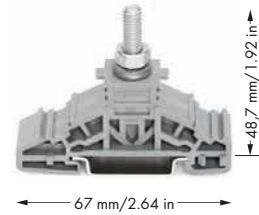
Up to three cable lugs can be connected according to:

- (DIN 46234)  
Cable lugs for solder-free connections, ring type, without insulating sleeve, for copper conductors and
  - (DIN 46235)  
Cable lugs for compression connections, cover plate type for copper conductors
- Install cable lugs back-to-back on the stud. Then, tighten to the required torque using a nut secured by a lock washer.

## Stud Terminal Blocks M6, M8, M10 and M12 885 Series



Stud Terminal Blocks



Stud terminal block,  
one M6 stud, for DIN-35 rail

Color	Item No.	Pack. Unit
gray	885-106	25

### Technical Data

Ratings per	IEC/EN 60947-7-1
Rated voltage (III / 3)	1000 V
Rated impulse voltage (III / 3)	8 kV
Rated current	125 A
Nominal cross-section	35 mm <sup>2</sup>
<b>Connection Data</b>	
Solid conductor	2.5 ... 35 mm <sup>2</sup> / 14 ... 2 AWG
Fine-stranded conductor	2.5 ... 35 mm <sup>2</sup> / 14 ... 2 AWG
Terminal block width	17.8 mm / 0.701 inch
Tightening torque range	3 ... 6 Nm
Insulation material	Polyamide 66 (PA 66)

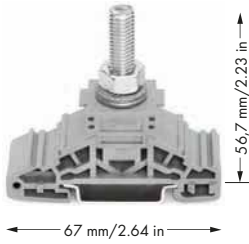
### Accessories

	Item No.	Pack. Unit
Assembled jumper bar		
2-way	885-406	5
3-way	885-426	5
Step-down adjacent jumper bar, M8 to M6		
Step-down adjacent jumper bar, M10 to M6		
Empty housing, 17.8 mm thick	gray	885-506
Empty housing, 22.8 mm thick		
Empty housing, 33.8 mm thick		
Separator plate, 2 mm thick, 76 mm wide		
Separator plate, 2 mm thick, 102.3 mm wide	gray	885-526
Separator plate, 2 mm thick, 157 mm wide		
Separator plate, with assembled jumper bar recess, 2 mm thick, 102.3 mm wide	gray	885-546
Separator plate, with assembled jumper bar recess, 2 mm thick, 157 mm wide		
Cover, 1 m long	transparent	885-566
Clip, secures cover against slipping	gray	885-580
WMB Inline, plain, stretchable from 5 ... 5.2 mm, 1,500 WMB markers (5 mm) per reel	white	2009-115
Marking strip, plain, 11 mm wide, 50 m reel	white	200-110
Marker carrier, for lateral marker slots, 5 mm wide		

Carrier rails and tools,  
see Volume 1, Section 13

Marking accessories,  
see Volume 6

Approvals and corresponding ratings,  
visit [www.wago.com](http://www.wago.com)



Stud terminal block, one M8 stud, for DIN-35 rail		
Color	Item No.	Pack. Unit
● gray	885-108	25

Stud terminal block, one M10 stud, for DIN-35 rail		
Color	Item No.	Pack. Unit
● gray	885-110	20

Stud terminal block, one M12 stud, for DIN-35 rail		
Color	Item No.	Pack. Unit
● gray	885-112	20

IEC/EN 60947-7-1
1000 V
8 kV
150 A
50 mm <sup>2</sup>
2.5 ... 50 mm <sup>2</sup> / 14 ... 1/0 AWG
2.5 ... 50 mm <sup>2</sup> / 14 ... 1/0 AWG
22.8 mm / 0.898 inch
6 ... 12 Nm
Polyamide 66 (PA 66)

IEC/EN 60947-7-1
1000 V
8 kV
269 A
120 mm <sup>2</sup>
6 ... 120 mm <sup>2</sup> / 10 AWG ... 250 kcmil
6 ... 120 mm <sup>2</sup> / 10 AWG ... 250 kcmil
33.8 mm / 1.331 inch
10 ... 20 Nm
Polyamide 66 (PA 66)

IEC/EN 60947-7-1
1000 V
8 kV
269 A
120 mm <sup>2</sup>
6 ... 120 mm <sup>2</sup> / 10 AWG ... 250 kcmil
6 ... 120 mm <sup>2</sup> / 10 AWG ... 250 kcmil
33.8 mm / 1.331 inch
10 ... 20 Nm
Polyamide 66 (PA 66)

	Item No.	Pack. Unit
2-way	885-408	5
3-way	885-428	5
	885-448	5
gray	885-508	20
gray	885-528	25
gray	885-548	25
transparent	885-566	1
gray	885-580	100(25)
white	2009-115	1
white	200-110	1

	Item No.	Pack. Unit
2-way	885-410	5
3-way	885-430	5
	885-470	5
gray	885-510	20
gray	885-540	25
gray	885-530	25
gray	885-550	25
transparent	885-570	1
gray	885-580	100(25)
white	2009-115	1
white	200-110	1
gray	2009-198	200(25)

	Item No.	Pack. Unit
2-way	885-412	5
3-way	885-432	5
gray	885-510	20
gray	885-540	25
gray	885-530	25
gray	885-550	25
transparent	885-570	1
gray	885-580	100(25)
white	2009-115	1
white	200-110	1
gray	2009-198	200(25)

## Stud Terminal Blocks M6, M8 and M10 885 Series



Stud Terminal Blocks

Stud terminal block,  
three M6 studs, for DIN-35 rail

Color	Item No.	Pack. Unit
● gray	885-306	25

### Technical Data

Ratings per	IEC/EN 60947-7-1
Rated voltage (III / 3)	1000 V
Rated impulse voltage (III / 3)	8 kV
Rated current	125 A
Nominal cross-section	35 mm <sup>2</sup>
<b>Connection Data</b>	
Solid conductor	2.5 ... 35 mm <sup>2</sup> / 14 ... 2 AWG
Fine-stranded conductor	2.5 ... 35 mm <sup>2</sup> / 14 ... 2 AWG
Terminal block width	17.8 mm / 0.701 inch
Tightening torque range	3 ... 6 Nm
Insulation material	Polyamide 66 (PA 66)

### Accessories

	Item No.	Pack. Unit	
Assembled jumper bar			
2-way	885-406	5	
3-way	885-426	5	
Step-down adjacent jumper bar, M8 to M6			
Step-down adjacent jumper bar, M10 to M6			
Empty housing, 17.8 mm thick	gray	885-506	25
Empty housing, 22.8 mm thick			
Empty housing, 33.8 mm thick			
Separator plate, 2 mm thick, 102.3 mm wide	gray	885-526	25
Separator plate, 2 mm thick, 157 mm wide			
Separator plate, with assembled jumper bar recess, 2 mm thick, 102.3 mm wide	gray	885-546	25
Separator plate, with assembled jumper bar recess, 2 mm thick, 157 mm wide			
Cover, 1 m long	transparent	885-566	1
Clip, secures cover against slipping	gray	885-580	100(25)
WMB Inline, plain, stretchable from 5 ... 5.2 mm, 1,500 WMB markers (5 mm) per reel	white	2009-115	1
Marking strip, plain, 11 mm wide, 50 m reel	white	200-110	1
Marker carrier, for lateral marker slots, 5 mm wide			

Carrier rails and tools,  
see Volume 1, Section 13

Marking accessories,  
see Volume 6

Approvals and corresponding ratings,  
visit [www.wago.com](http://www.wago.com)





Stud terminal block, three M8 studs, for DIN-35 rail

Color	Item No.	Pack. Unit
● gray	885-308	25



Stud terminal block, three M10 studs, for DIN-35 rail

Color	Item No.	Pack. Unit
● gray	885-310	10

IEC/EN 60947-7-1
1000 V
8 kV
150 A
50 mm <sup>2</sup>

IEC/EN 60947-7-1
1000 V
8 kV
269 A
120 mm <sup>2</sup>

2.5 ... 50 mm <sup>2</sup> / 14 ... 1/0 AWG
2.5 ... 50 mm <sup>2</sup> / 14 ... 1/0 AWG
22.8 mm / 0.898 inch
6 ... 12 Nm
Polyamide 66 (PA 66)

6 ... 120 mm <sup>2</sup> / 10 AWG ... 250 kcmil
6 ... 120 mm <sup>2</sup> / 10 AWG ... 250 kcmil
33.8 mm / 1.331 inch
10 ... 20 Nm
Polyamide 66 (PA 66)

	Item No.	Pack. Unit
2-way	885-408	5
3-way	885-428	5
	885-448	5
gray	885-508	20
gray	885-528	25
gray	885-548	25
transparent	885-566	1
gray	885-580	100(25)
white	2009-115	1
white	200-110	1

	Item No.	Pack. Unit
2-way	885-410	5
3-way	885-430	5
	885-470	5
gray	885-510	20
gray	885-530	25
gray	885-550	25
transparent	885-570	1
gray	885-580	100(25)
white	2009-115	1
white	200-110	1
gray	2009-198	200(25)

## Stud Terminal Blocks, Accessories

### 885 Series



Assembled jumper bar, double			
for:	Item No.	Pack. Unit	
M16 stud bolts	885-406	5	
M8 stud bolts	885-408	5	
M10 stud bolts	885-410	5	
M12 stud bolts	885-412	5	



Assembled jumper bar, triple			
for:	Item No.	Pack. Unit	
M16 stud bolts	885-426	5	
M8 stud bolts	885-428	5	
M10 stud bolts	885-430	5	
M12 stud bolts	885-432	5	



Step-down adjacent jumper bar, M8 to M6			
for:	Item No.	Pack. Unit	
M8/M6 stud bolts	885-448	5	



Step-down adjacent jumper bar, M10 to M6			
for:	Item No.	Pack. Unit	
M10/M6 stud bolts	885-470	5	



Empty housing			
for:	Color	Item No.	Pack. Unit
M6 stud terminal blocks, 17.8 mm thick	gray	885-506	25
M8 stud terminal blocks, 22.8 mm thick	gray	885-508	20
M10 and M12 stud terminal blocks, 33.8 mm thick	gray	885-510	20



Separator plate, 2 mm thick			
for:	Color	Item No.	Pack. Unit
M6 stud terminal blocks, 102.3 mm wide	gray	885-526	25
M8 stud terminal blocks, 102.3 mm wide	gray	885-528	25
M10 and M12 stud terminal blocks, 76 mm wide	gray	885-540	25
M10 and M12 stud terminal blocks, 157 mm wide	gray	885-530	25




Separator plate, with assembled jumper bar recess, 2 mm thick			
for:	Color	Item No.	Pack. Unit
M6 stud terminal blocks, 102.3 mm wide	gray	885-546	25
M8 stud terminal blocks, 102.3 mm wide	gray	885-548	25
M10 and M12 stud terminal blocks, 157 mm wide	gray	885-550	25





Cover, 1 m long, transparent			
for:	Color	Item No.	Pack. Unit
M6 and M8 stud terminal blocks	transparent	885-566	25
M10 and M12 stud terminal blocks	transparent	885-570	25



Clip, secures cover against slipping			
for:	Color	Item No.	Pack. Unit
Stud Terminal Blocks M6, M8, M10 and M12	gray	885-580	25

 Carrier rails and tools,  
see Volume 1, Section 13

 Marking accessories,  
see Volume 6

 Approvals and corresponding ratings,  
visit [www.wago.com](http://www.wago.com)



## Item Number Index

Item No.	Page	Item No.	Page	Item No.	Page	Item No.	Page
<b>249 Series</b>		<b>400-477 Series</b>					
249-117	2	400-477/477-510	2				
		400-477/477-511	2				
<b>400-405 Series</b>		<b>400-490 Series</b>					
400-405/405-767	12	400-490/490-001	12				
400-405/405-768	13	400-490/490-002	13				
400-405/405-769	13	400-490/490-003	13				
400-405/405-770	14	400-490/490-004	14				
400-405/405-771	15	400-490/490-005	15				
400-405/405-772	12	400-490/490-016	12				
400-405/405-773	12	400-490/490-017	13				
400-405/405-774	13	400-490/490-018	13				
400-405/405-775	13	400-490/490-019	14				
400-405/405-776	13						
400-405/405-777	13	<b>400-499 Series</b>					
400-405/405-778	14	400-499/499-024	5				
400-405/405-779	14						
<b>400-406 Series</b>		400-499/499-176	5				
400-406/406-053	6						
400-406/406-055	6	400-499/499-704	7				
		400-499/499-706	7				
400-406/406-126	7	400-499/499-715	6				
		400-499/499-717	6				
400-406/406-223	7	400-499/499-787	9				
		400-499/499-788	6				
<b>400-415 Series</b>		<b>885 Series</b>					
400-415/415-124	2	885-106	18				
		885-108	19				
400-415/415-216	3	885-110	21				
		885-112	21				
400-415/415-556	3						
<b>400-416 Series</b>		885-306	19				
400-416/416-298	8	885-308	19				
400-416/416-299	9	885-310	21				
<b>400-425 Series</b>		885-406	22				
400-425/425-124	2	885-408	22				
		885-410	22				
400-425/425-216	3	885-412	22				
		885-426	22				
400-425/425-556	3	885-428	22				
		885-430	22				
<b>400-463 Series</b>		885-432	22				
400-463/463-430	2	885-448	22				
400-463/463-431	2	885-470	22				
<b>400-465 Series</b>		885-506	22				
400-465/465-111	4	885-508	22				
		885-510	22				
400-465/465-575	5	885-526	22				
		885-528	22				
<b>400-473 Series</b>		885-530	22				
400-473/473-147	2	885-540	22				
		885-546	22				
400-473/473-316	2	885-548	22				
400-473/473-317	2	885-550	22				
400-473/473-318	2	885-566	22				
400-473/473-319	2	885-570	22				
400-473/473-323	2	885-580	22				
400-473/473-327	2						
400-473/473-328	2	<b>2009 Series</b>					
		2009-110	12				
400-473/473-621	2	2009-115	12				
400-473/473-622	2	2009-198	14				
400-473/473-623	2						
400-473/473-624	2						
400-473/473-625	2						
<b>400-477 Series</b>							
400-477/477-508	2						
400-477/477-509	2						

## WAGO Worldwide Companies and Representatives

- Algeria**  
please contact WAGO France
- Argentina**  
Bruno Schillig S.A.  
Arenales 4030, B1604CFD  
Florida, PBA  
Phone +54 11 4730 1100  
Fax +54 11 4761 7244  
wago@schillig.com.ar
- Austria**  
WAGO Kontakttechnik Ges.m.b.H.  
Europaring F15 602  
Campus 21  
2345 Brunn am Gebirge  
Phone +43 1 6150780  
Fax +43 1 6150775  
info.at@wago.com
- Azerbaijan**  
AZ Technics LTD  
Zulfi V. Alizade  
Y.Safarov str.33, AZ1025,  
Baku  
Republic of Azerbaijan  
Phone +994 12 496 8335  
Fax +994 12 496 8334  
info@AZtechnics.az
- Australia**  
WAGO Pty. Ltd.  
2-4 Overseas Drive  
Noble Park, Victoria, 3174  
Phone +61 03 8791 6300  
Fax +61 03 9701 0177  
sales.anz@wago.com.au
- Bangladesh**  
please contact WAGO India
- Belarus**  
OOO FEK  
pr-t Pushkina 29-B  
220015 Minsk  
Phone +375 17 2102189  
Fax +375 17 2102189  
wago@fek.by
- UP ATAVA  
ul. Denisovskaya, 47, office 1  
220006 Minsk  
Phone +375 17 2054015  
Fax +375 17 2851759
- Belgium**  
WAGO BeLux nv  
Excelsiorlaan 11  
1930 Zaventem  
Phone +32 2 717 9090  
Fax +32 2 717 9099  
info-be@wago.com
- Bolivia**  
ISOTEK S.R.L.  
Zona Casco Viejo  
Calle Isso #578, B/San Roque  
Santa Cruz  
Phone +591 721 000 27
- Bosnia and Herzegovina**  
please contact WAGO Bulgaria
- Brazil**  
WAGO Eletroeletrônicos Ltda  
Rua Américo Simões 1470  
São Roque da Chave  
Itupeva SP Brasil 13295-000  
Phone +55 11 4591 0199  
Fax +55 11 4591 0190  
info.br@wago.com
- Bulgaria**  
WAGO Kontakttechnik GmbH & Co. KG/  
Representative Office Sofia  
Business Center Serdika  
2E Akad. Ivan Geshov Blvd.  
Building 1, Floor 4, Office 417  
1330 Sofia  
Phone +359 2 489 46 09/10  
Fax +359 2 928 28 50  
info-BG@wago.com
- Canada**  
please contact WAGO USA
- Chile**  
Desimat Chile  
Av Puerto Vespuccio 9670  
Pudahuel Santiago  
Phone +56 2 747 0152  
Fax +56 2 747 0153  
ventaschile@desimat.cl
- China**  
WAGO ELECTRONIC (TIANJIN) Co. LTD  
No.5, Quan Hui Road  
Wuqing Development Area  
Tianjin 301700  
Phone +86 22 5967 7688  
Fax +86 22 5961 7668  
info-cn@wago.com
- Colombia**  
T.H.L. Ltda.  
Cra. 49 B # 91-33  
Bogotá  
Phone +57 1 621 85 50  
Fax +57 1 621 60 28  
ventas-thl@thl-ltdda.com
- Croatia**  
M.B.A. d.o.o.  
Frana Supila 5  
51211 Matulji  
Phone +385 51 275-736  
Fax +385 51 275-066  
mba@ri.htnet.hr
- MICROSTAR d.o.o.**  
Siget 18 b  
10020 Zagreb  
Phone +385 1 3647 849  
Fax +385 1 3636 662  
wago@microstar.hr
- Czech Republic**  
WAGO Elektro spol. sr. o.  
Rozvodova 1116/36  
143 00 Praha 4 - Modřany  
Phone +420 261 090 143  
Fax +420 261 090 144  
info.cz@wago.com  
wago-cz@wago.com
- Denmark**  
WAGO Denmark A/S  
Lejrvej 17  
3500 Værløse  
Phone +45 44 357 777  
info.dk@wago.com
- Egypt**  
IBN Engineering Instrumentation & Control  
71 a El Shaheed Ahmed Hamdi St.  
King Faisal, Giza  
Phone +20 2 721 4350  
Fax +20 2 722 1709  
sales@ibnengineering.com
- Ecuador**  
ECUAINSETEC CIA LTDA  
El Zurriago E9-32 y el Vengador  
Quito  
Phone +593 2 2 26 91 48  
Fax +593 2 2 46 18 33  
g.castro@ecuainsetec.com.ec
- Estonia**  
Eltarko OÜ  
Laki 14 - 502  
10621 Tallinn  
Phone +372 651 7731  
Fax +372 651 7786  
andres@eltarko.ee
- Finland**  
WAGO Finland Oy  
Vellamonkatu 30 B  
00550 Helsinki  
Phone +358 9 7744 060  
Fax +358 9 7744 0660  
tilaus@wago.fi
- France**  
WAGO Contact SAS  
Paris Nord 2  
83 Rue des Chardonnerets  
B.P. 55065 - Tremblay en France  
95947 - ROISSY CDG CEDEX  
Phone +33 1 4817 2590  
Fax +33 1 4863 2520  
info-fr@wago.com
- Germany**  
WAGO Kontakttechnik GmbH & Co. KG  
Postfach 28 80, 32385 Minden  
Hansastraße 27  
32423 Minden  
Phone +49 571 887-0  
Fax +49 571 887-844169  
info@wago.com
- Germany**  
WAGO Kontakttechnik GmbH & Co. KG  
Waldstraße 1  
99706 Sondershausen  
Phone +49 3632 659-0  
Fax +49 3632 659-100  
info@wago.com
- Great Britain**  
WAGO Limited  
Triton Park, Swift Valley Industrial Estate  
RUGBY  
Warwickshire, CV21 1SG  
Phone +44 1788 568 008  
Fax +44 1788 568 050  
uksales@wago.com
- Greece**  
PANAGIOTIS SP. DIMOULAS - BIOMAT  
DIMOULAS AUTOMATIONS  
Kritis Str. 26  
10439 Athen  
Phone +30 210 883 3337  
Fax +30 210 883 4436  
wago.info@dimoulas.com.gr
- Honduras**  
CILASAS S.A. de C.V.  
Barrio Los Andes  
7 Calle entre 14 y 15 Ave. N.O.  
P.O. Box. 1061  
San Pedro Sula  
Phone +504 2557 1146/7  
Fax +504 2557 1149
- Hong Kong**  
National Concord Eng., Ltd.  
Unit A-B, 5/F.  
Southeast Industrial Building  
611-619 Castle Peak Road  
Tsuen Wan, N.T.  
Phone +852 2429 2611  
Fax +852 2429 2164  
sales@nce.com.hk
- Hungary**  
WAGO Hungária KFT  
Ipari Park, Gyár u. 2  
2040 Budapest  
Phone +36 23 502-170  
Fax +36 23 502-166  
info.hu@wago.com
- Iceland**  
S. Gudjonsson ehf.  
Audbrekku 9-11  
202 Kopavogur  
Phone +354 520-4500  
Fax +354 520-4501  
export@wago.com
- India**  
WAGO Private Limited  
C-27, Sector-58, Phase-III  
Noida-201 301  
Gautam Budh Nagar (U.P)  
Phone +91 120 438 8700  
Fax +91 120 438 8799  
info.india@wago.com
- Indonesia**  
please contact WAGO Singapore
- Iraq**  
please contact WAGO Middle East
- Ireland**  
Drives & Controls  
Unit F4, Riverview Business Park  
Nangor Road  
Dublin 12  
Phone +353 1 4604474  
Fax +353 1 4604507  
wago@drivesandcontrols.ie
- Israel**  
Comtel Israel Electronic Solutions Ltd.  
Bet Hapaamon  
20 Hataas Street  
P.O. Box 66  
44425 Kefar-Saba  
Phone +972 9 76 77 240  
Fax +972 9 76 77 243  
sales@comPhoneco.il
- Italy**  
WAGO ELETTRONICA SRL a Socio  
Unico  
Via Parini 1  
40033 Casalecchio di Reno (BO)  
Phone +39 051 6132112  
Fax +39 051 6272174  
info-ita@wago.com
- Japan**  
WAGO Co. of JAPAN Ltd.  
Kinshicho Prime Tower  
5-7, Kameido, Koto-Ku  
Tokyo 136-0071  
Phone +81 3 5627 2059  
Fax +81 3 5627 2055  
info-jp@wago.com
- Jordan**  
please contact WAGO Middle East
- Kazakhstan**  
TOO INTANT  
232/2, Ryskulov avenue  
050061 Almaty  
Phone +7 727 356 52 91/92/93  
Fax +7 727 327 14 92/93  
ee@intant.net  
ees\_sm1@intant.net
- TOO Technik-Trade  
ul. i. A. Protosanova, 81  
070004 Ust-Kamenogorsk  
Phone +7 7232 254 064  
Fax +7 7232 253 251  
info@technik.kz
- Korea**  
WAGO Korea Co., Ltd.  
Room 205 AnyangMegaValley,  
268, Hagui-ro, Dongan-gu, Anyang-si,  
Gyeonggi-do, 14056, South Korea  
Phone +82 31 421 9500  
info.korea@wago.com
- Kosovo**  
please contact WAGO Bulgaria
- Latvia**  
INSTABALT LATVIA SIA  
Vestienas iela 6  
Riga, LV-1035  
Phone +371 790 1188  
Fax +371 790 1180  
info@instabalt.lv
- Lebanon**  
Gemayel Trading & Contracting  
Antonins Project  
P.O. BOX 70-1096  
Antelias  
Lebanon  
Phone +961 4 521 029  
Fax +961 4 521 029  
info@uae.com
- Lithuania**  
INSTABALT LIT UAB  
Savanorių 187  
Vilnius, 2053  
Phone +370 52 322 295  
Fax +370 52 322 247  
info@instabalt.lt
- Luxembourg**  
please contact WAGO Belgium
- Macedonia**  
please contact WAGO Bulgaria
- Kompjunet Inzenering  
Vladimir Komarov 1A-3/9  
1000 Skopje  
Republic of Macedonia  
Phone +389 2 521 12 00  
Phone +389 2 246 11 08
- Malaysia**  
WAGO Representative Office Malaysia  
No 806, Block A4, Leisure Commerce Square,  
No 9, Jalan PJS 8/9, 46150 Petaling Jaya,  
Selangor Darul Ehsan, Malaysia  
Phone +60 3 7877 1776  
Fax +60 3 7877 2776  
kian.guan.tan@wago.com
- HPH Materials (M) Sdn Bhd  
No. 4, Jalan Nilam 1/6  
Suban Hi-Tech Industrial Park  
40000 Shah Alam  
Selangor, D.E. Malaysia  
Phone +60 3 5638 2213  
Fax +60 3 5638 8213  
info@hphmaterials.com
- Maldives**  
please contact WAGO India

**Mexico**

WAGO SA de CV  
Av. Del Marques 38 Bodega 3  
P. I. Bernardo Quintana  
76240 El Marques, Querétaro  
Phone +52 442 221 5946  
Fax +52 442 221 5063  
info.mx@wago.com

**Moldova**

Electroservice Slavinschi T.T.  
str. Bolgarskaia 9, office 6  
2001 Kishinev  
Phone +373 22 274427  
Fax +373 22 224481  
es@es.mldnet.com

**Morocco**

Automatisme & Connection Maroc  
23, Rue Boured  
2ème étage, appt4  
Roche Noire  
20300 Casablanca  
Phone +212 522 24 21 72/73  
Fax +212 522 24 21 75

**Nepal**

please contact WAGO India

**Netherlands**

WAGO Nederland B.V.  
Laan van de Ram 19  
7234 BW APELDOORN  
Phone +31 55 36 83 500  
Fax +31 55 36 83 599  
info-nl@wago.com

**New Zealand**

please contact WAGO Australia

**NHP NZ**

7 Lockhart Place  
Mt Wellington  
New Zealand  
Phone +64 9 2761967  
Fax +64 9 2761992  
export@wago.com

**Nigeria**

GIL Automations Ltd.  
Daily Times Complex  
2 Lateef Jakande Rd., Agidingbi  
100271 Ikeja, Lagos State  
Phone +234 17132672335  
sales@gilautomation.com

**Norway**

WAGO Norge AS  
Jerikoveien 20  
1067 Oslo  
Phone +47 22 30 94 50  
Fax +47 22 30 94 51  
info.no@wago.com

**Oman**

please contact WAGO Middle East

**Pakistan**

FuziLogiX Automation & Control  
Suit No. 14, 5th Floor, Shan Arcade  
New Garden Town, Lahore  
Pakistan  
Phone +92 42 594 1503 - 4  
Fax +92 42 585 1431  
info@fuzilogix.com

**Peru**

Manufacturas Eléctricas S.A.  
Av O.R. Benavides 1215  
15000 Lima  
Phone +511 6196200  
Fax +511 6196247

**Philippines**

please contact WAGO Singapore

**Poland**

WAGO ELWAG sp. z o. o.  
ul. Piękna 58 a  
50-506 Wrocław  
Phone +48 71 3602970  
Fax +48 71 3602999  
wago.elwag@wago.com

**Portugal**

MORGADO & CA. LDA - SEDE  
Estrada Exterior da  
Circunvalação 3558/3560  
Apartado 1057  
4435 Rio Tinto  
Phone +351 22 9770600  
Fax +351 22 9770699  
geral@morgadocl.pt

**Qatar**

please contact WAGO Middle East

**Romania**

WAGO Kontakttechnik GmbH & Co.  
KG/  
Representative Office Bukarest  
Str. Nicolae G. Caramfil Nr. 26  
Bl. 1D, Et. 3, Ap. 7, Sect. 1, OP 52  
014144-Bucuresti  
Phone +40-(0)31 421 85 68  
info-RO@wago.com

**Romania**

VDR & Servicii srl  
Str. Valeriu Braniște, nr. 60, ap.1, sector  
3  
Romania  
Phone +40 21 3225074/76  
Fax +40 21 3225075  
office@componente-automatizari.ro

**Russia**

OOO WAGO Contact Rus  
Dmitrovskoe shosse, 157,  
bldg. 12/5  
127411 Moscow  
Russia  
Phone +7 495 663-3305  
Fax +7 495 663-3308  
info.ru@wago.com

**OOO Decima**

Projesd 4922, d. 4, str. 1  
124460 Moscow / Selenograd  
Phone +7 495 988 4858  
Fax +7 495 988 4858

**OOO Prosoft**

ul. Profsouznaya, 108  
117437 Moscow  
Phone +7 495 2340636  
Fax +7 495 2340640  
info@prosoft.ru

**ITC Electronics: Moscow**

Radio str. 24  
105005 Moscow  
Phone +7 495 775 1845  
Fax +7 495 775 1848  
moscow@itc-electronics.com

**WAGO Branch office**

Ekaterrinburg  
Phone +7 343 216 3426

**WAGO Branch office**

Novosibirsk  
Phone +7 383 217 9244

**WAGO Branch office**

St. Petersburg  
Phone +7 812 312 1918

**Saudi Arabia**

Saudi Electronic Trading Company  
(SETRA)  
P.O. Box 60712  
11555-Riyadh  
Phone +966 1 2062277  
Fax +966 1 2062277  
khaled.wafai@setra.com.sa

**Serbia**

please contact WAGO Bulgaria

**Avalon Partners doo**

Patrijarha Dimitrija 24  
11000 Beograd  
Phone +381 11 268 5311  
Fax +381 11 268 5311  
office@avalon.rs

**Sigma doo**

Balzakova 3  
21000 Novi Sad  
Phone +381 21 468 431  
Fax +381 21 636 1785  
office@sigmadoo.co.rs

**Singapore**

WAGO Electronic Pte Ltd  
No. 10 Upper Aljunied Link #04-04  
Singapore 367904  
Phone +65 62866776  
Fax +65 62842425  
info-sing@wago.com

**Slovakia**

Proelektr spol. s r.o.  
Na barine 22  
841 03 Bratislava - Lamač  
Phone +421 2 4569 2503  
info@wago.sk

**Slovenia**

IC elektronika d.o.o.  
Vodovodna cesta 100  
1000 Ljubljana  
Phone +386 1568 0126  
Fax +386 1568 9107  
info@ic-elect.si

**GENERA d.o.o.**

Prevala 10  
1236 Trzin  
Phone +386 14393050  
Fax +386 14393090  
genera@genera.si

**Slovenia**

Elektronabava d.o.o.  
Cesta 24 junija 3  
1231 Ljubljana  
Phone +386 1 58 99 300  
Fax +386 1 58 99 409  
info@elektronabava.si

**South Africa**

Shorrock Automation (Pty) Ltd  
Postnet Suite # 219  
Private Bag X 8, Elardus Park  
0047 PRETORIA  
Phone +27 12 4500300  
Fax +27 12 4500322  
sales@shorrock.co.za

**Spain**

DICOMAT S.L.  
Avda. de la Industria, 36  
Apartado Correos, 1.178  
28108-Alcobendas (Madrid)  
Phone +34 91 662 1362  
Fax +34 91 661 0089  
info@dicomat.com

**Sweden**

WAGO Sverige AB  
Tyskland 117,  
Box 11 1127, 161 11 BROMMA  
Besöksadress: Adolfsbergsv. 31  
Phone +46 858410680  
Fax +46 858410699  
info.se@wago.com

**Switzerland**

WAGO CONTACT SA  
Rte. de l'Industrie 19  
Case Postale 168  
1564 Domdidier  
Phone +41/26 676 75 00  
Fax +41/26 676 75 01  
info.switzerland@wago.com

**Sri Lanka**

please contact WAGO India

**Syria**

Zahabi Co.  
8/5 Shouhadaa St., P.O. Box 8262  
Aleppo  
Phone +963 21 21 22 235 / 6  
Fax +963 21 21 22 23 7  
info.uae@wago.com

**Taiwan R.O.C.**

WAGO Contact, Ltd.  
5F., No.168, Jiankang Rd  
Zhonghe City  
Taipei County 23585, Taiwan  
Phone +886 2 2225 0123  
Fax +886 2 2225 1511  
info.taiwan@wago.com

**Thailand**

WAGO Representative Office Thailand  
4th Floor, KS Building  
213/6-8 Rachada-Phisek Road  
Dingdaeng, Bangkok 10400  
Phone +66 2 6935611  
Fax +66 2 6935612  
warongkon.khankham@wago.com

**US Power Distribution Co., Ltd.**

4th Floor, KS Building  
213/6-8 Rachada-Phisek Road  
Dingdaeng, Bangkok 10400  
Phone +66 2 2763040  
Fax +66 2 2763049  
uspowers2014@gmail.com

**Tunisia**

please contact WAGO France

**Turkey**

WAGO Elektronik Sanayi ve Ticaret  
Ltd. Şti.  
Yukan Dudullu Mahallesi Bayraktar  
Bulvarı  
Cad. Hattat Sok. No. 10  
34775 Ümraniye - Istanbul  
Phone +90 216 472 1133  
Fax +90 216 472 9910  
info.tr@wago.com

**Ukraine**

NPP Logicon  
Predslavinskaya street, 39, office 303  
03150 Kiev  
Phone +380 44 5228019  
Fax +380 44 2611803  
info@logicon.ua

**OOO Micropribor**

ul. Kotelnikova, 4  
03115 Kiev  
Phone +380 44 5369386  
Fax +380 44 5369387  
sales@micropribor.kiev.ua

**United Arab Emirates (UAE)**

WAGO Middle East (FZC)  
SAIF Zone, Q4-282  
P.O. Box 120665  
Sharjah, UAE  
Phone +971 6 5579920  
Fax +971 6 5579921  
info.uae@wago.com

**Uruguay**

Fivisa Electricidad  
Avda. Uruguay 1274  
11100 Montevideo  
Phone +59 829 020 808  
Fax +59 829 021 230  
info@fivisa.com.uy

**USA**

WAGO CORPORATION  
N120 W19129 Freistadt Road  
Germantown, WI 53022  
Phone +1 262 255 6222  
Fax +1 262 255 3232  
Toll-Free: 1-800 DIN Rail (346-7245)  
info.us@wago.com

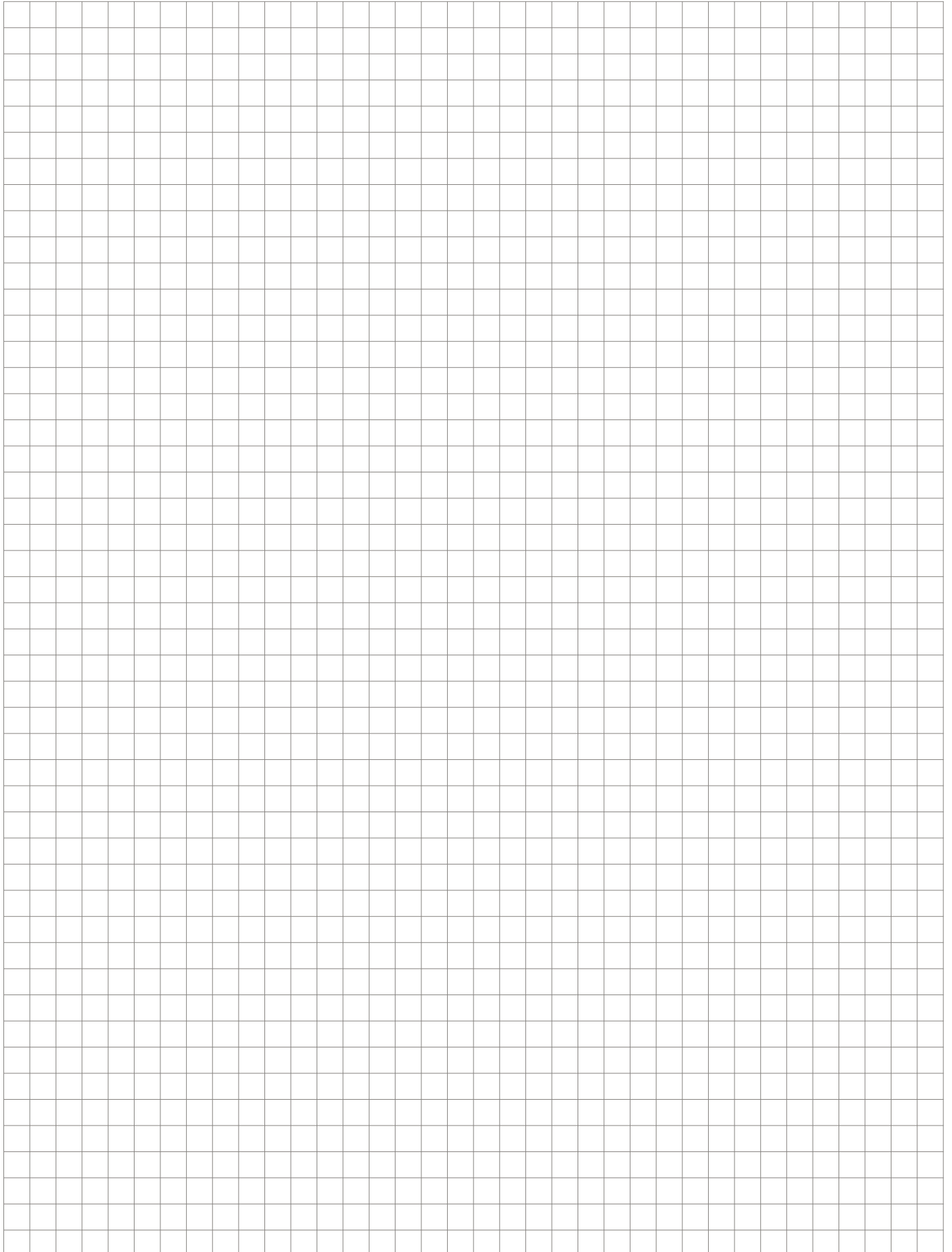
**Venezuela**

PETROBORNAS, C.A.  
C.C. PLAZA AEROPUERTO - PISO 1 -  
LOCAL P1 - B - 03  
(8015) UNARE - PUERTO ORDAZ -  
ESTADO BOLIVAR  
REPÚBLICA BOLIVARIANA DE VENE-  
ZUELA  
Phone +58 286 951 3382  
Fax +58 286 951 3382  
info@petrobornas.com

**Vietnam**

please contact WAGO Germany  
(Minden)









**WAGO Kontakttechnik GmbH & Co. KG**

Postfach 2880 · 32385 Minden  
Hansastraße 27 · 32423 Minden  
info@wago.com  
www.wago.com

Headquarters	+49 571 887 - 0
Sales	+49 571 887 - 44222
Order Service	+49 571 887 - 44333
Fax	+49 571 887 - 844169