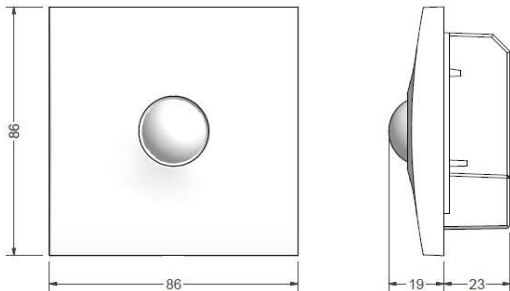




PDS-PRM & PDS-PRM/S Product Guide

No Neutral Wall Mounted PIR Presence Detector

Overview



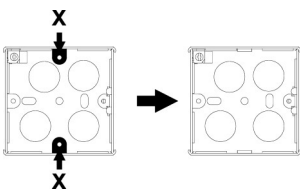
The PDS-PRM presence detector switches are designed to provide automatic control of lighting, heating or ventilation loads. They detect movement using a PIR sensor and turn the load on. When an area is no longer occupied the load will switch off after an adjustable time out period.

An internal light sensor provides additional energy saving in lighting applications. When an area is occupied lighting is only switched on when the level of natural light is below a preset level.

A selectable security mode switches the lights on for a period of 2 hours when it gets dark, regardless of occupancy, to give the impression of a building being occupied.

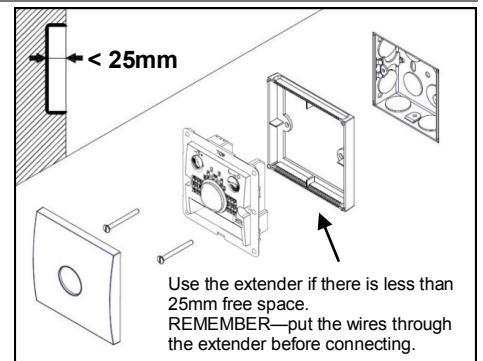
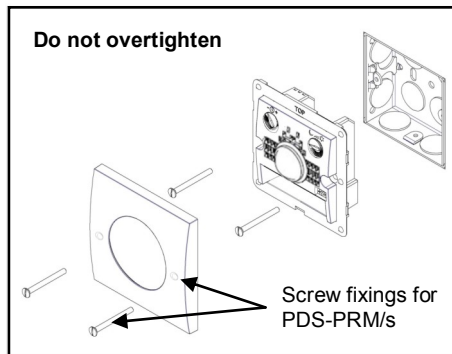
The PDS-PRM/S comes with longer mounting screws and countersunk holes on the cover plate. This is to allow the installer to secure the unit and cover plate with external screw fixings.

Installation and wiring



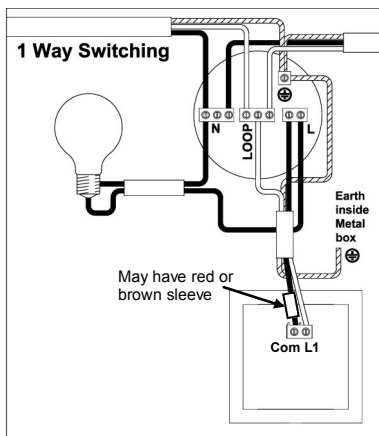
Compatible with all BS4662 dimensions back boxes.

Remove top and bottom lugs if fitted.



The detector should be sited so that the occupants of the room fall inside the detection pattern shown below, at a recommended height of 1.2m to 1.5m for wall sensors. Note that the higher the sensor is installed the shorter the detection range will be.

- Avoid direct sunlight entering the sensor.
- Do not site within 1m of forced air heating or ventilation.
- Do not site within 1m of any lighting.
- Do not fix to a vibrating surface.



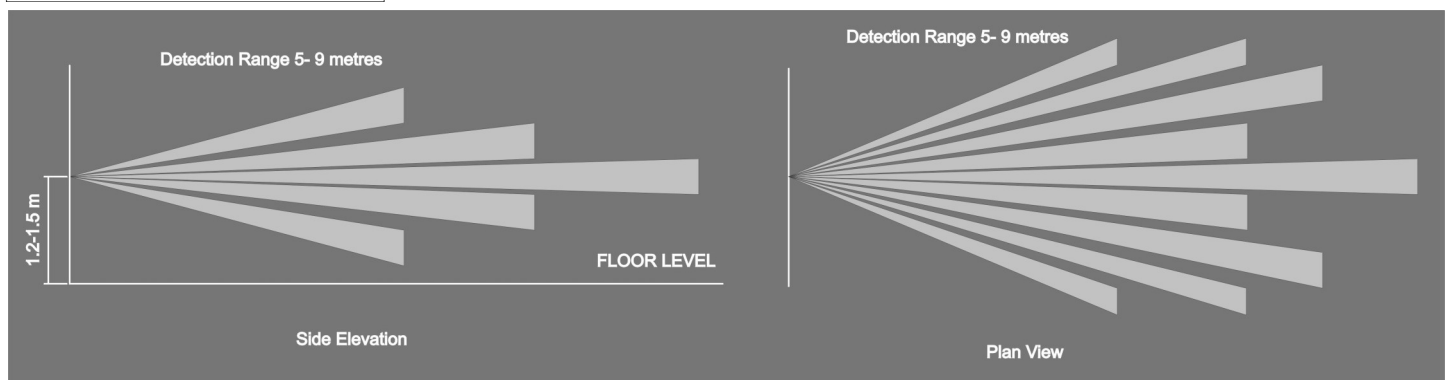
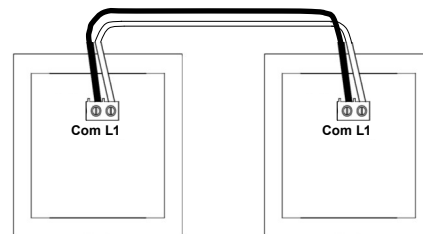
1 way switching

If the lights are controlled from one location only, wire as in the diagram.

Neutral		Black or Blue
Live		Red or Brown
Earth		Yellow Green

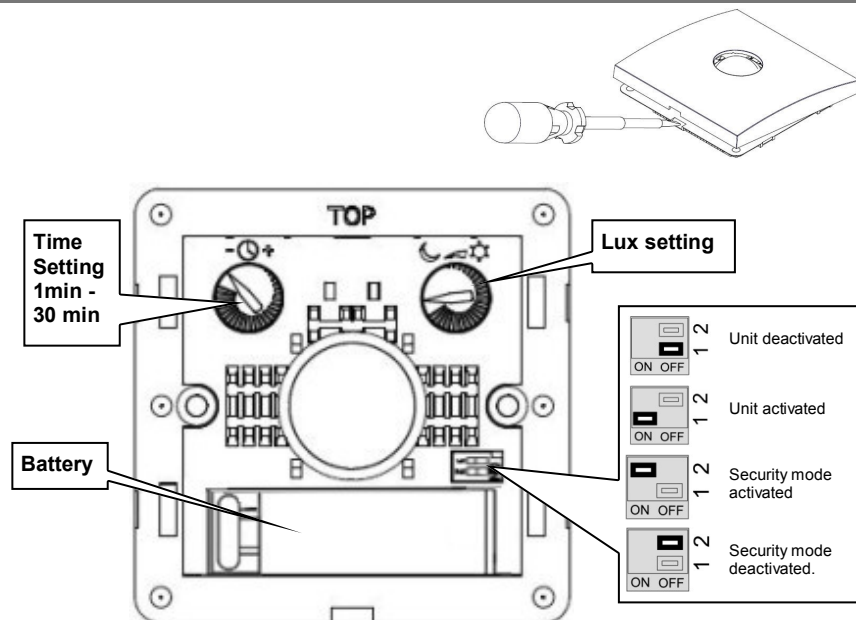
2 way switching

If more than one detector is required to switch the lighting (e.g. at the top and bottom of a staircase) they can be wired in parallel, as in the diagram.



Setup

1. Activate the unit by setting DIL switch 1 on.
2. Allow about 60 seconds for the unit to settle.
3. Set the LUX level thumbwheel fully clockwise, and the time setting to minimum (fully anticlockwise).
4. Check that the load switches on when movement is detected, and turns off again about 1 minute after the area has been vacated.
5. To set the final LUX level wait until the level of natural daylight is just enough that lighting is required. Starting with the LUX thumbwheel fully anti-clockwise. Very slowly turn the thumbwheel clockwise until the lights come on. Note that when the LUX thumbwheel is fully clockwise then the lights will **always** come on with occupancy.
6. If required, select the security mode using DIL switch 2.
7. If the unit is not going to be used for a prolonged period of time, deactivate by setting DIL switch 1 off. This will preserve battery life.



Security Mode

- Security mode can be turned on and off using the switches as shown in the "setup" section.
- When activated, security mode is used to switch on lighting when it gets dark, giving the impression a house is occupied.
- When the unit senses that the outside light is dark, the lights will automatically switch on for a period of 4 hours then switch off.

Batteries

- The internal battery should last in excess of 3 years, dependent on usage.
- When it needs replacing, a red LED will flash on the front of the unit.
- Follow the steps below to replace the battery.
 1. Remove front cover
 2. Lever out battery
 3. Replace battery
 4. Push into holder
 5. Replace front cover
- Use only good quality, 9V alkaline batteries type PP3.

Fault finding

LOAD DOES NOT COME ON

Check to see if the live supply to the circuit is good. Strap across the *L* and *LIVE OUT* terminal to turn the load on.

If the supply and wiring are good, check the LUX level setting. Increase the LUX level setting to allow the controller to turn on at higher ambient natural light level.

LIGHTS DO NOT GO OFF

Ensure that the area is left unoccupied for a greater time period than the time out period set using the switch.

Make sure that the sensor is not adjacent to circulating air, heaters or lamps.

Part numbers

PDS-PRM	Wall mounted PIR presence detector
PDS-PRM/S	Wall mounted PIR presence detector with external screw fixing

Ratings

Supply Voltage	220-240 Volts AC 50 Hz
Power	10A
Time out period	Adjustable 1 minute to 30 minutes
Light level	Optional adjustment by thumbwheel light to dark.
Terminal Capacity	2.5mm ²
Material	Flame retardant ABS
Type	Class 2
Temperature	-10°C to 35°C
Conformity	EN60669-2-1 EN55015



C.P. Electronics Ltd
Brent Crescent
London
NW10 7XR
United Kingdom
Tel: + 44 (0) 333 900 0671
Fax: + 44 (0) 333 900 0674
www.green-iswitches.co.uk
enquiry@green-iswitches.co.uk